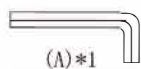
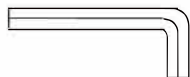


五金表/Hardware list

部件表/Parts List

安装示意图/Assembly Instruction

产品名称 Model NO.	BY011-A/B Gaming Chair
产品规格 Specification	730*730*1195-1290
安装工具 Tool	安装人数 Installer



(A)*1

6mm内六角扳手
Wrench-(6mm)
Hexagon bar wrench



(B)*4

圆头内六角螺丝6*20
Round head hexagon
screw-(6*20) black



(C)*4

圆头内六角螺丝6*25
Round head hexagon
screw-(6*25) black



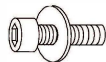
(D)*3

平头内六角螺丝8*20
Flat Head Hexagon
screw-(8*20) black



(E)*2

杯头内六角螺丝8*40
cheese head Hexagon
screw-(8*40) black



(F)*2

杯头内六角螺丝8*40
cheese head Hexagon
screw-(8*40) black



(G)*2

塑料扶手扣盖
plastic shim



(H)*2

扶手定制扣盖
plastic cover



(I)*2

扶手软扣盖
plastic cover



(J)*5

60五孔赛车轮
gaming wheels-60mm



(K)*1

三级气压棒
3 class gas lift



(L)*1

防尘套
dustproof cover



(M)*1

钢板
steel plate

编号NO.	名称Name	规格 Specification	数量QTY	材质Material
①	靠背 Backrest	765*550*175	1	PVC+ Original Foam-24
②	座垫 Seat	530*530*220	1	PVC+ Original Foam-25
③	350#椅脚 Chair Base-350mm	350mm	1	PP+FG
④	双手柄可躺 Recliner Mechanism	270*335*105	1	Steel
⑤	扶手-左 Armrest -Left	2012*477*15	1	PP+FG
⑥	扶手-右 Armrest -Right	1603*477*15	1	PP+FG

扫一扫获取安装视频教程
Scan for installation video

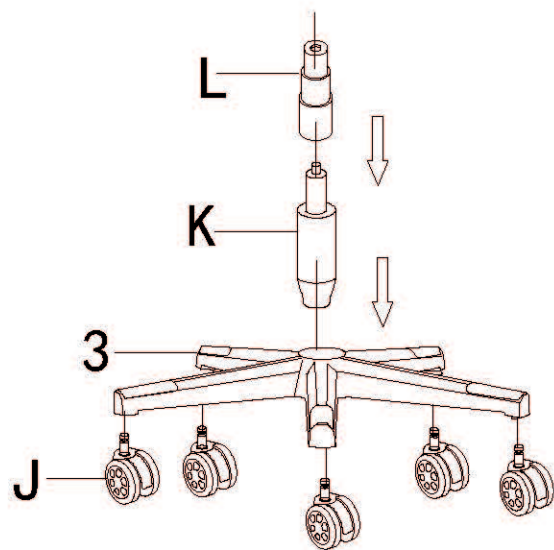


Step 1: Scan the code to automatically jump to the page of the Official Accounts.

Step 2: Pull down the page to the installation video location.

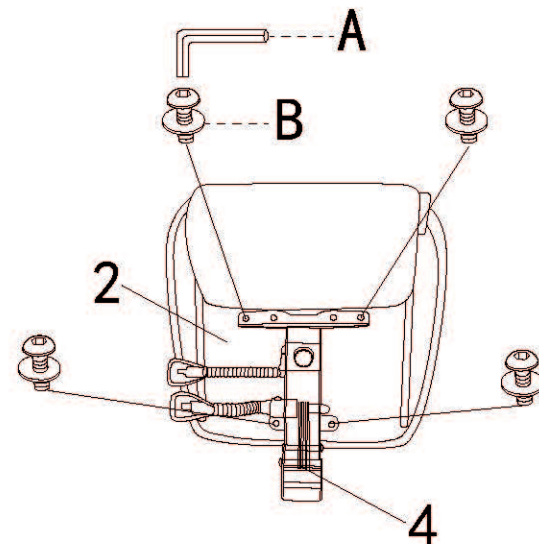
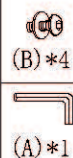
BY011-A/B Gaming Chair

安装方法/Installation method



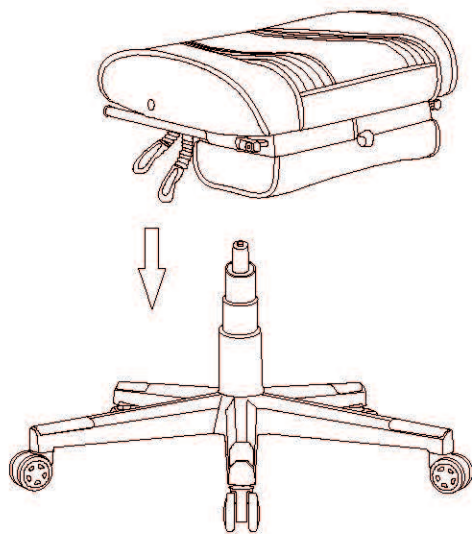
把椅轮J分别装入椅脚3的五个脚孔，再将气压棒K装入脚椅3的中心孔，最后套上防尘套L。
Install the gaming wheels J into the five holes of the chair base 3, then install the gas lift K into the center hole of the chair base 3, and finally put on the dustproof cover L.

1



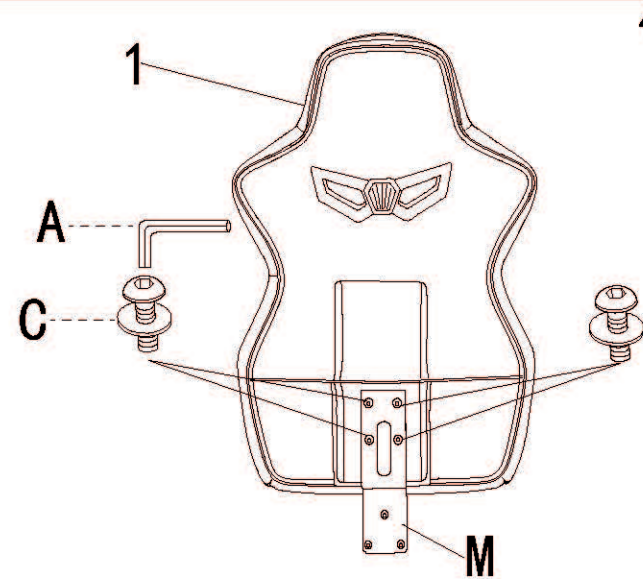
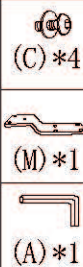
将底盘4放置在座垫2的中心位，使用五金B对准座垫2的孔位锁紧固定
Put the Recliner Mechanism 4 in the center of the seat cushion 2, and use hardware B to align with the hole of the seat cushion 2 to lock and fix it

2



将气杆的顶端对准底盘的孔位对接，椅子下半部分安装完成
Align the top part of gas lift k with the hole of recliner mechanism 4 and palce the seat cushion to finish the installation of the lower half of the chair

3



将钢板M对准靠背1相应孔位放置好，再使用五金C固定
Align the steel plate M with the corresponding hole of backrest 1 and place it then fix it with hardware C

4

BY011-A/B Gaming Chair

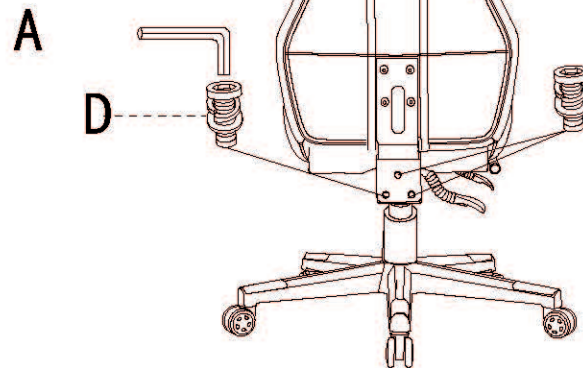
安装方法/Installation method



(D)*3



(A)*1



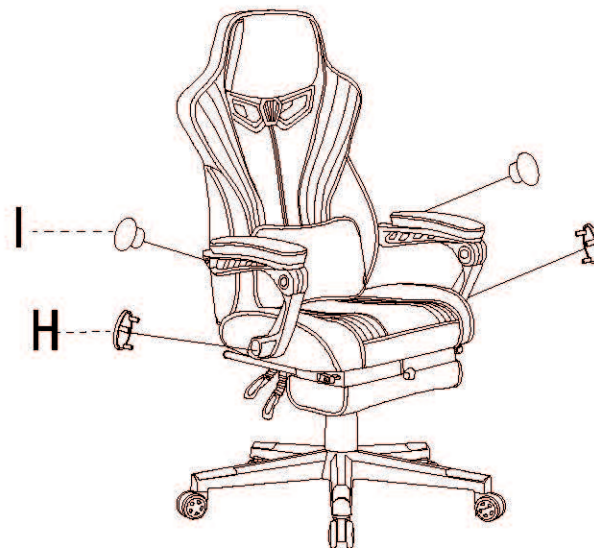
将钢板M对准底盘孔位插入，再使用五金D固定
Insert the steel plate M into the hole of the Recliner Mechanism4, and then fix it with hardware D



(I)*2



(H)*2



使用H, I扣盖堵住扶手孔，安装完成。
Block the armrests hole with H and I Plastic covers, and the installation is completed.

5



(E)*2



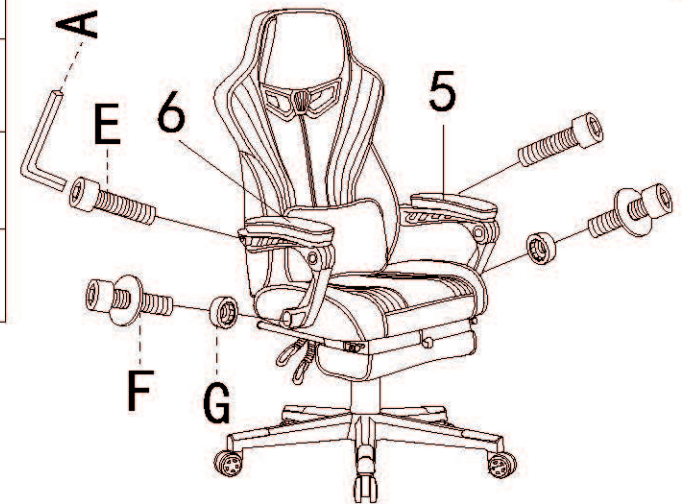
(F)*2



(G)*2



(A)*1



将扶手5, 6放在对应位置，使用五金E锁紧固定扶手上孔位，再使用五金F, G锁紧固定扶手下孔位
Place the armrests 5 and 6 at the corresponding positions, lock and fix the armrests and backrest with hardware E, and then use hardware F, G to lock and fix the armrests and seat cushion

7

6